

DEMOGRAPHIC EFFECT ON SWITCHING BEHAVIOUR AMONG BANK CUSTOMERS IN GHANA

Rexford Owusu Okyireh¹, Leonard Kyei², Dorcas Tandoh³ and Nathaniel Mills⁴

¹Wisconsin University College, Department of Marketing and Human Resource

²Wisconsin University College, Department of Mathematics Application

³Wisconsin University College, Department of Business Computing

⁴Wisconsin University College, Department of Information Technology

ABSTRACT: *The issues that confront banks in their quest to offer superior value are as a result of effective segmentation and this presents marketers with a huge responsibility of providing the right products for customers to be delighted. However, the characteristics of customers are not the same; hence, expectations also differ in the same regard. This makes it paramount to understand the demographic variables such as age, income and education and how these variables impact a customers' likelihood to switch. The study utilized a cross-sectional survey of 987 bank customers and a convenience sampling technique was employed. The data was analysed with Cross-tabulation and Chi-square. The study concludes that age, income and education are significant to the tendency for customers to switch banks.*

KEYWORDS: Switching Behaviour, Bank Customers, Segmentation, Demographic Characteristics

INTRODUCTION

The quest by Ghanaian banks to deliver superior value has engineered an increase in the adoption of relationship banking with customer as the focal point in business survival. As a result of this phenomenon, banks are exploring new ways of achieving loyalty despite some challenges such as legislation, technology and globalisation (Blankson, Omar & Cheng, 2009; Narteh, 2013; Owusu-Frimpong, 2008). Additionally, the characteristics of the population has indicated an upsurge in homes, which is change in gender roles, improved training and advancement in technological development, which has led consumers to become more conversant in choice of products and services provided.

Mahmoud, Tweneboah-Koduah and Danku (2011), claim that despite the challenges in the banking sector, it is undebatable that the banking sector has been the leader in creativity, innovation, competitiveness and sophistication of IT services in the country. In this regard, the banking industry in Ghana with its numerous issues has become very competitive and rigorous, and requires personalized and differentiated services focused on the promotion of loyalty and satisfaction of customers in order to be successful (Khaled & Rasoul, 2008). It is, however, important that being enlightened in the changes of consumer behaviour is essential for sustaining competitive markets (Lariviere & Poel, 2004). In expanding the discussion, Afsar, Rehman, Qureshi and Shahjehan (2010) posits that banks have the onus to maintain existing customers and make an effort to attract new ones through customer satisfaction to secure long term profitability.

The problem is primarily focused on switching behaviour of customers in service industries which have been of great concern to researchers over the years. The Bank of Ghana (2014), reports that growth in the banking sector halted at 3.4percent in 2014 as compared to 2013. This is as a result of internal (interest rates and bank charges) and external forces (global forces) and the current study discusses the internal factors that influence consumers to switch banks. Several authors (Chadha & Bhandari, 2014;Clemes, Gan, & Zhang, 2010;Boohene, Agyapong & Gonu, 2013; Pirzada, Nawaz, Javed & Asab, 2014; Ofori-Okyere & Kumadey, 2015) have argued that poor attitudes of service organisations in retaining customers are the cause for the increasing number of customers switching from one service provider to another. In addition, demographic characteristics of customers are crucial in designing effective marketing strategies (Zhang, 2009).

Previous study of Nimako and Nyame (2015), for instance, report that age and income have a positive relationship on switching behaviour. On the other hand, Effah-Bediako et al., (2013) argue that age and gender have a moderating effect on switching behaviour. Moreover, males are more prone to switch than females, and these inconsistencies have given the impetus for this current study.

LITERATURE REVIEW

Switching Behaviour

Switching behaviour is the reflection of customers' decision to discontinue the purchase of a service from a firm permanently. This assertion is shared by Bolton and Bronkhurst (1995) and Boote (1998). Perner (2006) affirms that switching behaviour is a multifaceted study of factors, which stimulate the behaviour of consumers towards switching their purchase between brands.

Keaveny and Parthasarathy (2001) and Sathish, Kumar, Naveen and Jeevanantham (2011) also define switching behaviour as an act of switching from one service provider to another as a result of a lack of satisfaction with the service. Other studies (Akwensivie, 2014; Bansal & Taylor, 1999; Garland, 2002; Narteh & Owusu-Frimpong, 2011; Nimako 2012; Halinen & Tahtinen, 2002) also agree that switching behaviour is the means by which customers abandon one service provider for another. The forms of switching can either be total or partial (Colgate & Hedge, 2001; Stewart, 1998). With total switching, it is easier to identify the customers who switch, because they close accounts and move to another (Bolton & Bronkhorst, 1995; Boote, 1998). On the other hand, partial switching is the loss of part of a customer's engagements with the service provider which makes it difficult to identify the customers who have switched (Siddiqui, 2011).

From the above definition, it is clear that switching occurs as a result of dissatisfaction and that the reasons underlying customers propensity to switch are enormous. This is confirmed by Gerrard and Cunningham (2004) who assert that the ability of a customer to change a service provider is as a result of multiple factors.

Theoretical Framework

Demographic Transition Theory

The demographic transition theory was developed by Thompson (1929) and it states that as people progress from one developmental stage to another, their preferences, expectations and interests change with time. In view of this, the theory is the most suitable for understanding how people with demographic characteristics such as age, education and income can display a switching attitude from one service to other when their preferences and expectations change over time.

Socio-Economic Status (SES) and Consumer Switching Behaviour

Several studies (Boohene et al., 2013; Clemes et al., 2010; Narteh & Owusu-Frimpong, 2011; Nimako & Nyame, 2015; Nimako & Mensah, 2014) have explored the factors which determine customer switching behaviour, in different service sectors. These factors range from demographic factors to organizational services. These factors are moderated by socio-demographic variables such as age, gender, income and education (Antwi-Boateng et al., 2013; Mburu & Selapisa, 2012; Morgan, 2012; Tripathi & Singh, 2012; Karani & Fraccastoro, 2010; Shin & Kim, 2008; Ranganathan, Seo, & Babad, 2006; Teo, Tan, & Peck, 2004; Gilbert, Lee-Kelley & Barton, 2003; Carroll, Howard, Peck & Murphy, 2002; Brosnan & Davidson, 1996).

Age and Switching Behaviour

Switching behaviour has been examined and ample literature (Pappu, Quester & Cooskey, 2007; Siles, Robinson & Hanson, 1994) reports that demographic characteristics can be used to differentiate the behaviour of one section of customers from another. Clemes et al., (2010) reports that the younger age group have higher propensity to switch banks compared to older ones. Accordingly, younger customers switch banks as a result of greater convenience, higher quality services and lower prices or favourable interest rates (Clemes et. al., 2010). This notion is also supported by Clemes et al., (2007a) who reported that younger customers are most likely to switch banks. To further enhance the discourse, some researchers (Gautam & Chandhok, 2011; Morgan, 2012) have argued that age and gender influence the switching behaviour of consumers.

In a related study, Nartey and Owusu-Frimpong (2011) indicated that age has the tendency to influence the switching behaviour, of customers, though the study does not emphatically confirm the extent to which it affects switching.

However, other studies (Effah-Bediako, Deh & Asuamah, 2013; Nimako & Nyame, 2015), have dissenting views that age does not significantly affect switching behaviour. The study further explains that the tendency of a customer to switch is dependent on age. This inconsistency needs deeper understanding to ascertain the true meaning in literature.

Gender and Switching Behaviour

A study conducted by Effah-Bediako et al, (2013) discovered that more males switch service providers compared to females and the overall effect is that gender influences switching behaviour. This finding is inconsistent with Shin and Kim (2008) who also realised that gender may not affect switching behaviour. In a more current study conducted by Nimako and Nyame (2015), the study revealed that gender does not influence switching from one service provider

to another. On the contrary, Gautam and Chandhok (2011) in a related study also concluded that, age and gender influences the switching behaviour of customers.

Income and Switching Behaviour

According to Clemes et al, (2007a) customers with high income expect better service and failure to meet the expectation results in switching. It can be deduced that high income customers expect better services from their bank as a result of purchasing power. Nimako and Nyame (2015) reported that income positively affects switching behaviour and that the higher the income, the more switching becomes inevitable. Effah-Bediako et al, (2013) in contrast, report that, income is a moderating variable in consumer switching. Family income, however, is a predictor of switching behaviour (Mburu & Selapisa, 2012; Morgan, 2012; Tripathi & Singh, 2012; Karani, & Fraccastoro, 2010). It is, however, evident that customers with more income have tendencies to switch easily without bothering about cost involved compared to those with lower income levels. It is nevertheless imperative to consider how income affects the switching behaviour patterns of customers in order to obtain a deeper understanding of the inherent factors missing in literature.

Education and Switching Behaviour

Literature makes it pronounced that educational level is positively linked to customer switching behaviour (Roy-Dholakia & Uusitalo, 2002; Keaveney & Parthasarathy, 2001; Ranganathan et al, 2006; Shin & Kim; 2008). Shin and Kim (2008) further contend that customers with higher educational background are relatively more prone to switching than customers with lower educational status. On the contrary, Choi (2010) discovered that there were no significant differences with education and switching behaviour. Nimako and Nyame's (2015) findings also support Choi (2010) who claim that education as a variable is not significant to switching behaviour.

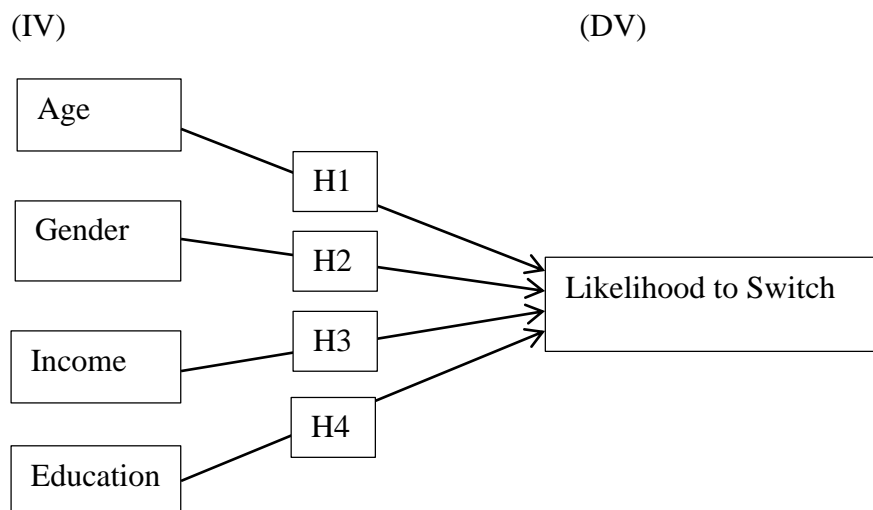


Figure 1. Conceptual framework and hypothesis

METHODOLOGY

Population and Sampling

The Ga East Municipal was chosen for the study because most banks including; Ecobank, UT Bank, GT Bank, Prudential Bank, Barclays Bank, Standard Chartered Bank, Access Bank and ADB Bank are located in this municipality, specifically in Taifa, Dome, Kwabenya, Haatso, Agbogba, Ashongman and Madina.

According to the Housing and Population Census (2010) there are 147,742 inhabitants in these said areas. However the number is expected to increase in the next population census.

The sample size used for the study is 987 out of 1000 representing 98.7% recovery rate. Crouch (1984) recommends that “minimum sample sizes for quantitative consumer surveys are of the order of 300 to 500 respondents.” This makes the sample size ideal for the study. Again, Hair et al. (2006) consider sample sizes of 100 and above appropriate for quantitative studies. Cross-tabulation and Chi-square tests were used for analysing the data with SPSS.

Research Design

A Pilot study was undertaken in order to ascertain the readability questionnaire, and correct any ambiguity that might be present. The constructs were drawn based on literature which influenced the model in the current study. A draft of the questionnaire was developed following a pre-test of fifteen (15) customers of different banks in the Ga East Municipality. Fink in Saunders et. al., (2007) recommends that a minimum of ten (10) members for pre-test is ideal. Some merits of the pilot study are that it gives the researcher advance warnings of challenges that might arise from the research.

A seven-point Likert scale was used to know the degree to which respondents agreed or otherwise to the statement posed. It ranged from 1 – strongly disagree to 7 – strongly agree. The questionnaire had demographic characteristics such as age, income, gender and education. Respondents were asked to rate their likelihood to switch on a seven-point scale to ascertain their level of intentions.

RESULTS AND DISCUSSIONS

Table 1 shows the demographic characteristics of the respondents with their ages ranging from 18-25 representing 33%, 26-35 representing 34%, 36-45 also representing 20%, 46-55 representing 9% and 55+ also representing 4%. On the issue of switching banks, majority of the age brackets chose ‘likely’ and ‘slightly likely’ as an indicator of intention to switch.

Table 1: Chi-Square Tests of Age verses a customer’s likelihood to switch from a current bank

	Value	df	Asymp. Sig. (2-sided)
Pearson Chi-Square	89.995 ^a	24	0.000
Likelihood Ratio	100.607	24	0.000
Linear-by-Linear Association	41.087	1	0.000
N of Valid Cases	987		

When a chi-square test was performed with the H_0 : a customer's likelihood to switch from a current bank and the ages of the customers are not related. Against the H_1 : a customer's likelihood to switch from a current bank and the ages of the customers are related. From table 3 it can be observed that since the p-value (0.000) is less than the 0.05 level of significance the H_0 is rejected, in favour of the H_1 that a customer's likelihood to switch from a current bank and the ages of the customers are related. This means a customer will switch to other banks because of the age.

Table2: Chi-Square Tests Gender verses a customer's likelihood to switch from a current bank

	Value	df	Asymp. Sig. (2-sided)
Pearson Chi-Square	4.152 ^a	6	0.656
Likelihood Ratio	4.173	6	0.653
Linear-by-Linear Association	.279	1	0.597
N of Valid Cases	987		

When a chi-square test was performed with the H_0 : gender and a customer's likelihood to switch from a current bank are not related. Against the H_1 : gender and a customer's likelihood to switch from a current bank are related. From table 2 it can be observed that since the p-value (0.653) is more than the 0.05 level of significance we fail to reject H_0 , gender and a customer's likelihood to switch from a current bank are not related, this means that customer switching banks has nothing to do with the gender of the customer.

Table 3: Chi-Square Tests of a customer's likelihood to switch from a current bank verses the Income level of the customer

	Value	df	Asymp. Sig. (2-sided)
Pearson Chi-Square	70.526 ^a	24	0.000
Likelihood Ratio	77.349	24	0.000
Linear-by-Linear Association	5.030	1	0.025
N of Valid Cases	987		

When a chi-square test was performed with the H_0 : a customer's likelihood to switch from a current bank and the Income level of the customer are not related. Against the H_1 : a customer's likelihood to switch from a current bank and the Income level of the customer are related. From table 1 it can be observed that since the p-value (0.000) is less than the 0.05 level of significance the H_0 is rejected, in favour of the H_1 that a customer's likelihood to switch from a current bank and the income level of the customer are related. This means that if a customer saves at a bank and the income level increases the probability of switching to another bank is very high. In addition, the income level of a customer informs the customer of the kind of bank to save with.

Table 4: Chi-Square Tests customer's likelihood to switch from a current bank verses the educational status

	Value	df	Asymp. Sig. (2-sided)
Pearson Chi-Square	75.081 ^a	24	0.000
Likelihood Ratio	85.861	24	0.000
Linear-by-Linear Association	17.944	1	0.000
N of Valid Cases	987		

When a chi-square test was performed with the H_0 : a customer's likelihood to switch from a current bank and the educational status of the customer are not related. Against the H_1 : a customer's likelihood to switch from a current bank and the educational status of the customer are related. From table 4, it can be observed that since the p-value (0.000) is less than the 0.05 level of significance the H_0 is rejected, in favour of the H_1 that a customer's likelihood to switch from a current bank and the educational status of the customer are related, this means a customer will switch to other banks because of the educational status of that customer.

DISCUSSION

The present study sought to examine the relationship between demographic variables: age, gender, income and education on the switching behaviour of 987 bank customers.

Using chi-square to analyse the data, it was realised that a significant relationship exists between an individual's age and switching behaviour. Also changes in an individual's income and education were significantly related to his or her switching behaviour. On the contrary, it was reported that the gender of an individual had no relationship with the decision to switch from one service to another.

Relationship between Age and switching behaviour

The first hypothesis was raised to investigate the relationship between an individual's age and switching behaviour. The results of the analysis showed that being young or old significantly predicted one's switching behaviour. This finding is consistent with Clemes & Zhang (2010) who found a combined effect between age, education and income on switching behaviour. Hence they reported that bank switching is more common among younger, high-income, and more highly educated customers than older, low-income, and less well educated customers. The findings are consistent with previous studies which reported that age predicts actual switching. Therefore the younger the age of an individual the more likely he is willing to switch from one bank to another (Matthews & MacRae, 2006; Mavri & Ioannou, 2008; Nimako & Nyame, 2015; Zhang, 2009). On the contrary, the findings of the present study was inconsistent with Effah Bediako, Deh & Asiamah (2013) who discovered that age has no statistical significant effect on switching behaviour of consumers.

Relationship between gender and switching behaviour

The second hypothesis was raised to investigate the relationship between an individual's income and switching behaviour. The results of the analysis showed that an individual's gender

was not significantly related to switching behaviour. In view of this, previous studies have also affirmed this outcome by reporting that no significant differences were noticeable between males and females. It was also found that gender does not predict actual switching behaviour (Choi, 2010; Nimako & Nyame, 2015). However, this finding is inconsistent with Effah-Bediako, Deh & Asiamah (2013) who reported that males switch their service providers than females.

Relationship between income and switching behaviour

The third hypothesis was raised to investigate the relationship between an individual's income and switching behaviour. The results of the analysis showed that the amount of income earned by an individual is significantly related to one's switching behaviour. This finding is consistent with Nimako & Nyame (2015) who reported that income predicts actual switching behaviour. It was also emphasised that middle income grouping respondents had a greater likelihood of switching from one service to another (Matthews & MacRae, 2006). However, the findings of the present study were inconsistent with Zhang (2009) who explained that the negative relationship between low income and customers' switching banks was not supported. Perhaps these findings were influenced by some variables which were not examined in Zhang (2009).

Relationship between education and switching behaviour

The fourth hypothesis was raised to investigate the relationship between an individual's education and switching behaviour. The results of the analysis showed that an individual's educational level was significantly related to switching behaviour. This finding is consistent with a previous study which reported that bank switching is more common amongst more highly educated customers than older, low-income, and less well educated customers (Clemes & Zhang, 2010). However it is inconsistent with some studies which reported that the relationship between an individual's education and switching was not related (Nimako & Nyame, 2015; Zhang, 2009). Implications of these findings for theory and practice are discussed.

IMPLICATION AND FUTURE RESEARCH

The study supported age, income and education as the demographic factors that cause customers to switch from one service provider to another. Though some authors have dissenting views on these factors, others also strongly support the notion of segmentation strategies targeted at customers. The study makes it empirically clear that age variations increase the chance of customers switching from one bank to the other. More importantly, the likelihood of younger age group to switch is higher than older age groups; however, the overall influence is that age is significant to switching behaviour. Furthermore, income levels of customers has a bearing on switching behaviour and that, the higher the income, the higher the expectations from the service provider. In the same disposition, an educated customer tends to be well informed about service attributes and expects better service delivery.

These variations of customers present scholars and practitioners with strategies that can enhance the retention of customers in the service sector, in this instance, the banks. The proclivity of customers to switch is very high according to the study and therefore, it is important for banks to identify the various demographic patterns of customers in order to design service offerings to satisfy or even exceed expectations.

Future research could consider males and females ability to switch since several scholars have argued that gender does not influence switching behaviour. Again, other geographical settings can be explored other than Ga-East Municipal Assembly in order to compare findings for a better generalisation. Finally, customers who have switched banks should also be explored to assess the level of satisfaction with the current banks.

REFERENCES

- Afsar, B., Ur Rehman, Z., Qureshi, J. A. & Shahjehan, A. (2010). 'Determinants of customer switching behaviour'. *Journal of Business Management and Marketing*, 5(4), 96.
- Akwensivie, D.M. (2014) Switching Behaviour And Customer Relationship Management. An exploratory study of the role of selected attitudinal behaviour, and demographic factors. *Journal of Academy of Marketing Science*, 29(4), 374-390.
- bank loyalty among university students in Ghana. *Journal of Marketing Development and Competitiveness*, 5(4), 96.
- Bank Marketing*, 26(1), 47-50.
- Bank of Ghana Annual Report (2014). <https://www.bog.gov.gh>
- Bank of Ghana Annual Report (2015). <https://www.bog.gov.gh>
- Banking market. *Journal of Services Marketing*, 18(3), 215-223.
- Banking services. *The International Journal of Bank Marketing*, 19(4/5), 201-213.
- Bansal, H. S., & Taylor, S. F. (1999b) "The Service-Provider Switching Model (SPSM): Behaviour on Switching Behaviour of Mobile Subscribers: Evidence from A Developing Country. *International Journal of Business and Management*, 10(7), 158.
- behaviour. *Journal of Consume Satisfaction, Dissatisfaction and Complaining Behaviour*, 11, 141-149.
- Blankson, C., Omar, O.E. & Cheng, J.M-S. (2009), "Retail bank selection in developed and developing countries: a cross-national study of students' bank-selection criteria", *Journal of Business Management and Marketing*, 5(4), 96.
- Bolton, R. N., & Bronkhorst, T. M. (1995). The relationship between customer switching behaviour and the perception of shopping benefits. *International Journal of Retail & Distribution Management*, 30(10), 459-469.
- Boohene, R., Agyapong, K.G.O & Eric Gonu (2013). "Factors Influencing the Switching Behaviour of Mobile Subscribers: Evidence from A Developing Country. *International Journal of Business and Management*, 10(7), 158.
- Boote, J. (1998). Towards a comprehensive taxonomy and model of consumer complaining behaviour. *Journal of International Business Studies*, 38(5), 726-745.
- Brosnan, M., & Davidson, M. (1999). Psychological gender issues in computing. *J. Gend. Stud.*
- Chadha, S. K., & Bhandari, N. (2014). Determinants of Customer Switching towards Mobile banking services. *International Journal of Retail & Distribution Management*, 30(10), 459-469.
- Choi, Y. (2010). Religion, religiosity, and South Korean consumer switching behaviors. *Journal of Business Management and Marketing*, 5(4), 96.
- Clemes, M.D., Gan, C. & Zheng, L.Y. (2007a), "Customer switching behaviour in the New Zealand banking market. *Journal of Services Marketing*, 18(3), 215-223.
- Clemes, M.D., Gan, C., & Zhang, D., (2010) "Customer switching behaviour in the Chinese banking market. *Journal of Services Marketing*, 18(3), 215-223.
- Colgate, M., & Hedge, R. (2001). An investigation into the switching process in retail community banks (RCBs) in Ghana", *Journal of Emerging Markets*, 3 (2) 181-196.
- Complaints Management in the delivery of Health Care in the Municipal Hospitals in Ghana. *International Journal of Business and Marketing Management*, 3(1), 31-42.
- Complaints to the firm and subsequent exist behaviour. *Advances in Consumer Consumer. Journal of Business and Economics Research*, 8 (12), 77-83.
- Criteria in retail bank selection in Sub-Saharan Africa: The case of Ghana. *International Journal of Bank Marketing*, 29 (5), 375-397.
- Customers Switching Behavior?(Evidence from the Customers of Banking Sector of Pakistan).
- Developing countries: a cross-national study of students' bank-selection criteria", *Journal of Business Management and Marketing*, 5(4), 96.

- Effah-Bediako, D., Deh I. Y., & Asuamah, S. Y. (2013). Demographic Effect in the exploratory study of predictive factors in mobile number portability, *Technological Forecasting & Social Change* 75, 854–874.
- Exploratory Study'. Malaysia, Open University.
- Garland, R. (2002), "Estimating customer defection in retail banking", *International Journal*
- Gerrard, P., & Barton Cunningham, J. (2004). Consumer switching behavior in the Asian Ghana Statistical Service (2010). Population and Housing Census.
- Guatam, P., & Chandhok, D. A. (2011). Switching behavior of subscribers in Indian telecom
- Halinen, A., & Tähtinen, J. (2002). A process theory of relationship ending. *International Journal of Consumer Behaviour*, 9(3), 157-171.
- Journal of service industry management*, 13(2), 163-180.
- Karani, K. G. & Fraccastoro, K. (2010). Resistance to Brand Switching: The Elderly
- Keaveny, S. & Parthasarathy, M. (2001). Customer switching behaviour in online services: Khaled A. & Abdul Rasoul H. B, (2008). 'Bank's Customer Satisfaction in Kuwait An
- Larivière, B., & Van den Poel, D. (2004). Investigating the role of product features in loyalty in the banking sector: the case of Pakistan'. *African Journal of Business Management*, 4(1), 1040-1047.
- Mahmoud, M. A., Tweneboah-Koduah, E. Y., & Danku, C. E. (2011). Key motivations for Mburu, P., & Selapisa, O. (2012). Consumer's Propensity to Switch; A Case on Mobile mobile telecommunication industry. *Eur. J. Bus. Manag*, 4(7), 1-17.
- Model of Consumer Switching Behavior in the Services Industry," *Journal of Service Research*, 2, 200-218.
- Narteh, B., & Owusu-Frimpong, N. (2011). An analysis of students' knowledge and choice
- Nimako, S. G. (2012). Linking quality, satisfaction and behaviour intentions in Ghana's
- Nimako, S. G., & Nyame, R. K. (2015). Influence of Demography, Religiosity and Porting Number Portability. SAGE Publications, Los Angeles, London, Paradigm, 18(2) 199–219. *Of Bank Marketing*, 20(7), 317-324.
- Ofori-Okyere, I., & Kumadey, G., (2015). An assessment of Service Failures and Customer
- Owusu-Frimpong, N. (2008), "An evaluation of customers' perception and usage of rural
- Pappu, R., Quester, P. G., & Cooksey, R. W. (2007). Country image and consumer-based
- Perner, L. (2010). Consumer behavior: the psychology of marketing. Retrieved February, 5, Phone Industry in Botswana. *International Journal of Engineering and management Sciences*, 3(4), 520-527.
- Pirzada, S. S., Nawaz, M., Javed, M. U., & Asab, M. Z. Which Factors Influence the preventing customer churn, by using survival analysis and choice modeling: The case of financial services. *Expert Systems with Applications*, 27(2), 277-285.
- Ranganathan, C., Seo, D., & Babad, Y. (2006). Switching behavior of mobile users: do users' relational investments and demographics matter?. *European Journal of Information Systems*, 15(3), 269-276.
- Retail banking industry", *International Journal of Bank Marketing*, 28 (7), 519 – 546.
- Retention of Customers of Ghana Commercial Bank within the AgonaSwedru Municipality." *International Journal of Marketing Studies*, 5(4), 82.
- Roy Dholakia, R., & Uusitalo, O. (2002). Switching to electronic stores: consumer Sathish, M., Kumar, K. S., Naveen, K. J., & Jeevanantham, V. (2011). A study on consumer sector. *International Journal of Research in Finance & Marketing*, 1(3).
- Shin, D., & Kim, W. (2008). Forecasting customer switching intention in mobile service: An
- Siddiqui, K. (2011), "Personality influences customer switching", *International Journal of Contemporary Research in Business*, 2 (10), 363-72.
- Siles, M., Robinson, L. J., & Hanson, S. D. (1994). Does friendly service retain customers?

- Singapore. *Behav. Inf. Technol.*, 23(3), 211–223.
- Stewart, K. (1998). An exploration of customer exit in retail banking. *International Journal switching behaviour in cellular service provider: A study with reference to chennai. Far East Journal of Psychology and Business*, 2(2), 71-81.
- Switching Decisions of Mobile Service Users, *International Journal of Innovative Research and Development*, 2(8), 422-429.
- Teo, T., Tan, M., & Peck, S. (2004). Adopters and non-adopters of internet stock trading in *The Iceland Experience. British Journal of Marketing Studies*, 2(1), 89-100.
- The Preference and Usage of Mobile Phone Services in Bhopal. *Current Trends in Technology and Sciences*, 1(2), 62-70.
- Thompson, W. S. (1929). Population. *American Journal of Sociology* 34, 6, 959–975. *Thunderbird International Business Review*, 51 (2), 184-96.
- Tripathi, P., & Singh, S. K. (2012). An Empirical Study of Consumer Behaviour towards unpublished Master's thesis, Lincoln University, Canterbury Work Organ., 3(1), 13–25.
- Zealand banking industry”, *Banks and Banks System*, 2(4), 50-66.
- Zhang, D. (2009), “Customer switching behaviour in the Chinese retail banking industry”,